

ETERNAL LIGHTING

Ultra120 DMX
USER MANUAL



Caution: please read this user manual carefully before you initially start-up.

TABLE OF CONTENTS

INSTRUCTION

DESCRIPTION OF THE DEVICE

1. Profile
2. Overview
3. Specification data
4. Photographic chart
5. Safety warning

INSTALLATION

1. Installing
2. DMX 512 connection
3. Connection with mains
4. The use of color frame
5. The use of gobo frame
6. Use iris
7. Replacing fuse
8. Focus

OPERATION 8

1. Description of the keys
2. Menu
3. Basic setting
4. DMX protocol

APPENDIX 9

Problem and solution

INTRODUCTION

Thank you for purchasing the ULTRA120 DMX. It is a powerful and versatile device.

DESCRIPTION OF THE DEVICE

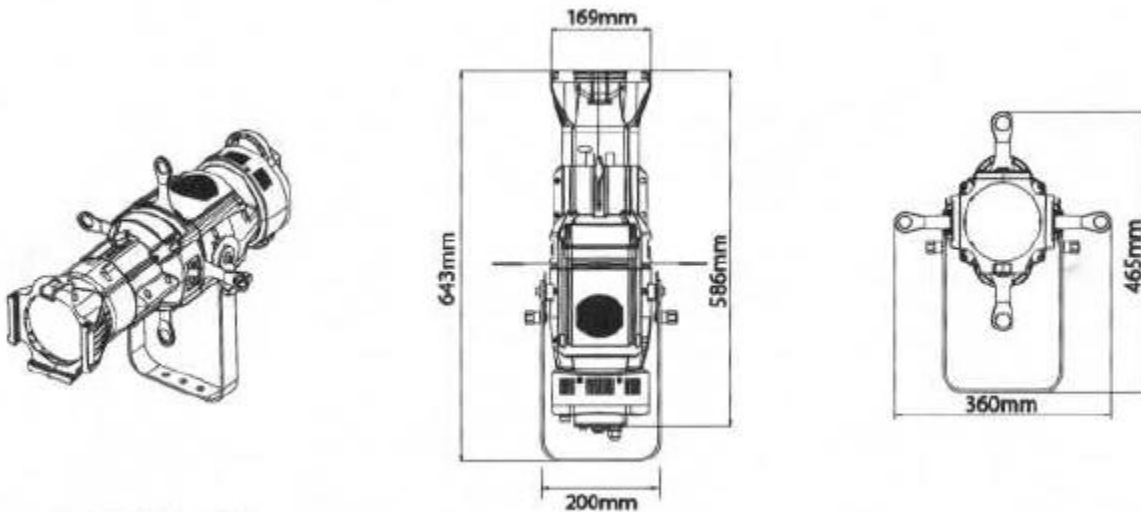
1. Profile

With the idea of energy saving and environmental protection, this device uses lower power consumption. The device housing cover is made of used the new

high strength heat resistance engineering plastics, giving the ULTRA120 DMX a beautiful shape and smooth lines. The designing and manufacturing is in compliance with the IEC standard. The product conforms to the international standard DMX512 agreement. The device can be controlled in single use and also can be controlled in many units.

The device is suitable in large-scale theatrical performance halls, wedding venues, night clubs, and so on.

2. Overview

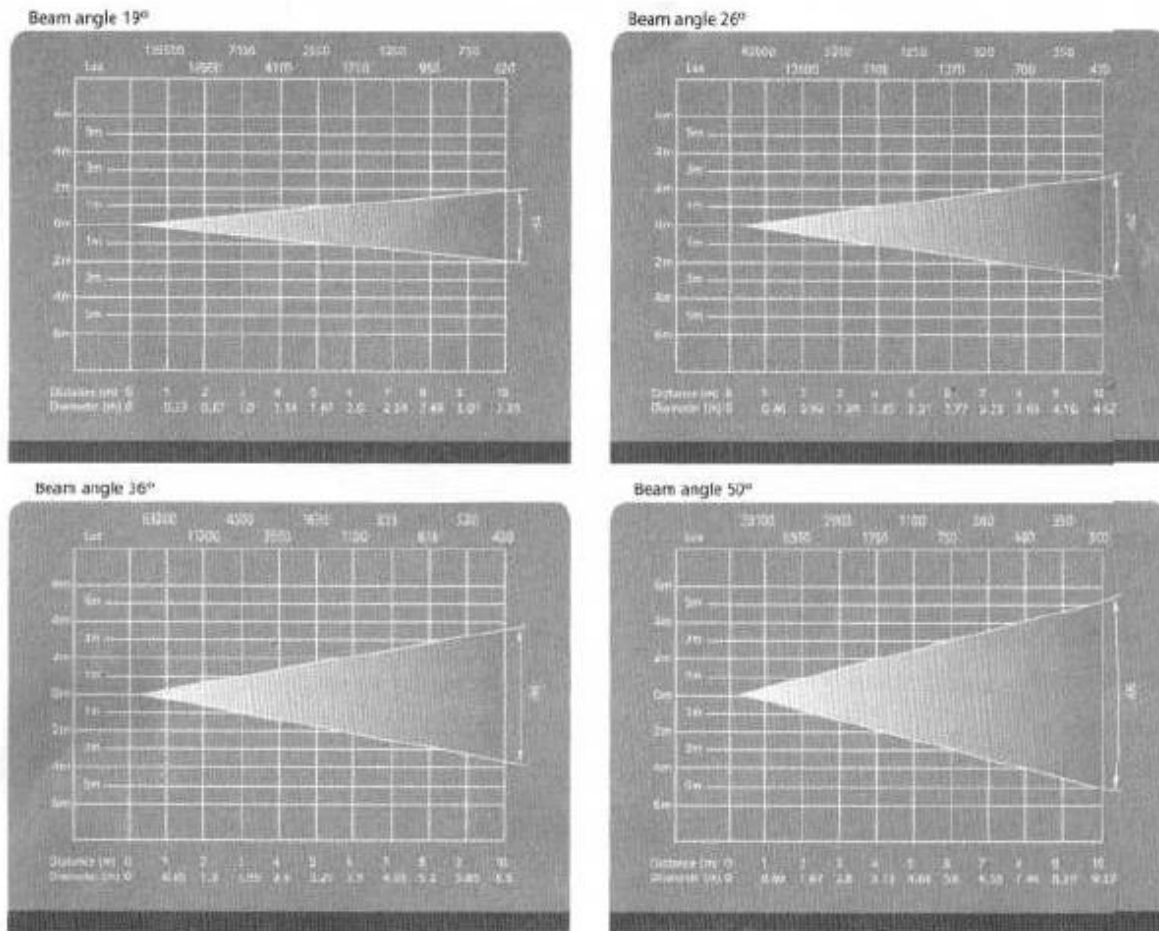


3. SPECIFICATION

- Lamp: Heliarray 100W series/Edison 100W
- Power Supply: AC100V-250V, 50HZ/60HZ

- Power consumption: 150w
- Small volume, lightweight
- High quality optical system
- Different lens available (19°/26°/36°/50°)

4. Photographic Chart



5. Safety Warning

Every person involved with the installation, operation and maintenance of this device has to be qualified

- User must follow the instructions of this manual
- Unqualified person cannot open the housing cover and operate the device, or the dealer will not accept liability for any resulting defects or problems.

- The device against rain and moisture

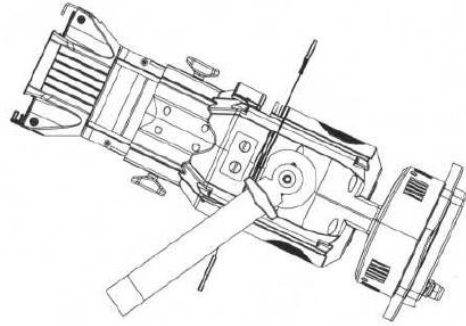
Warning notes:

- Power supply: AC100V-250V,50HZ/60HZ
 - Make sure the power switch is off, the power plug, outlet and the earth connection is in well condition before connecting the device with the mains.
 - Please use qualified power plug and outlet. Never connect the power cord of this device with other electrical equipment.
 - During move and installation, make sure the device not crashed with metal parts and other tough materials.
-
- Always disconnect from the mains, when the device is on installation and dismantled
 - The minimum distance between light-output and the illuminated surface must be more than 50cm.
 - The device must only be installed on a non-flammable surface. In order to safeguard sufficient ventilation, leave 50 cm of free space around the device. Please note that heat sensitive objects may be deformed or damaged by the emitted heat.
 - During the operation the housing becomes very hot! Do not operate the device for 15 minutes after switching off.
 - The maximum ambient temperature $T_a = 45^{\circ}\text{C}$ must never be exceeded. The maximum housing temperature $T_b = 80^{\circ}\text{C}$ must never be exceeded.
 - For indoors use.
 - Replace any visible cracked protective shield, filters and lens.
 - The protective shield filters and lens will require weekly cleaning as smoke fluid tends to build up residues, reducing the light output very quickly.

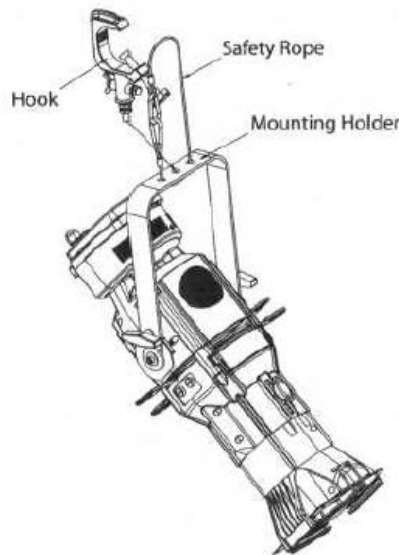
INSTALLATION

1. Installation

- When installation, keep the device far away the heat sensitive objects and explosives. Sensitive objects, leave at least 50CM of free space around the device.
- When the device put on horizontal place, the device must be placed directly in place, and devices must be secured with a mounting holder.



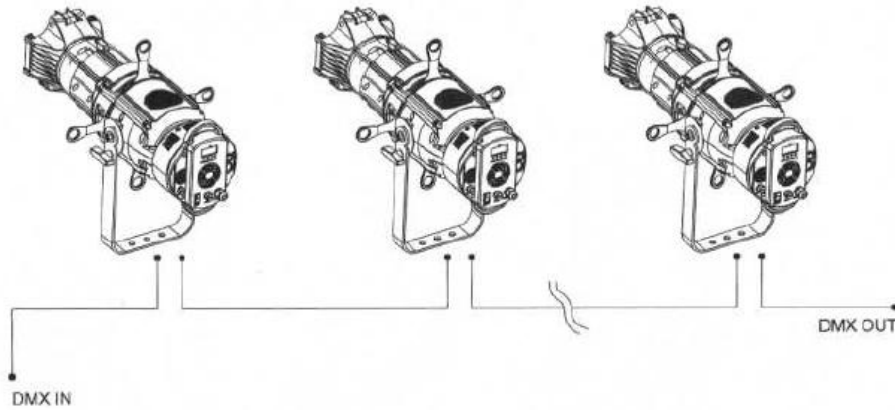
- When rigging the devices on the truss and the head face to the floor. Insert the quick-lock fasteners of the first mounting holder into the respective holes on the bottom of the device. Tighten the quick-lock fasteners fully clockwise. Install the second mounting holder. And the safety rope must be used at same time.



- Please use qualified safety-rope, which can hold at least 10 times the weight of the fixture. You must only use safety ropes with quick links with screw cap. Pull the safety rope through the hole on the bottom of the base and over the trussing system etc. Insert the end in the quick link and tighten the fixation screw. A safety rope which already hold the strain of a crash or which is defective must not be used again.

2. Dmx512 connection

- Please use xlr-xlr wires to connect the dmx output of the controller with the dmx input of the first device, and connect the dmx output of the first device with the dmx input of the second device, always connect one output with the input of the next device until all devices are connected.



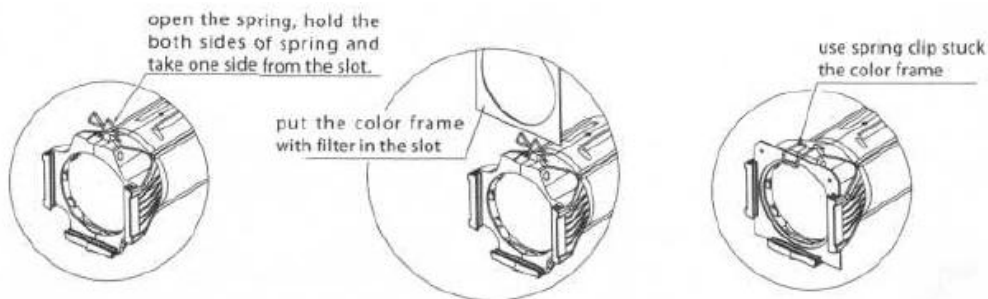
- Please use qualified xlr-xlr dmx cables.

3. Connection with mains

- The person involved with the power connection must be qualified, and has the electrical engineering certificate.
- Connect the device to the mains with the power plug.
- The earth has to be connected.
- Power consumption 150W, input power supply AC100V-250V, 50/60Hz.

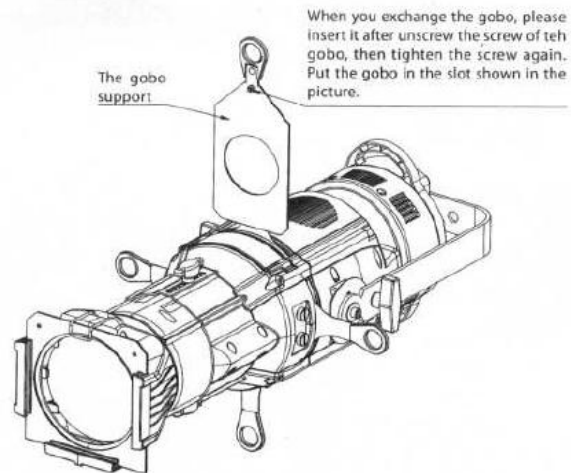
4. The use of color frame

- Take out the color frame, loosen the screws, insert the color and lock the screws again
- Insert the color in the slot.



5. The use of gobo frame

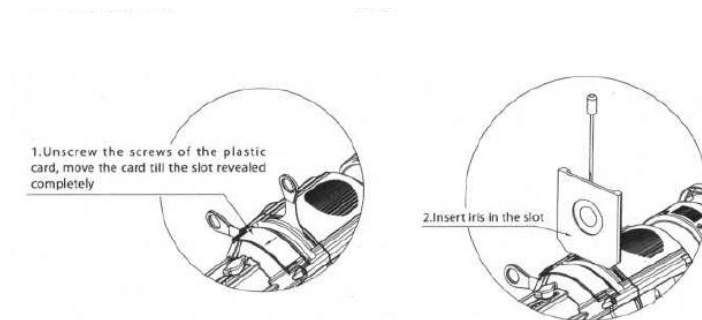
- Take out the gobo frame, loosen the screws, insert the gobos and lock the screws again
- Insert the gobo in the slot.



6. Use iris

Iris is not included when the projector leave factory, user can purchase the iris if needed.

Loosen the screws and insert the iris.



7. Replacing fuse

- Before replacing the fuse, unplug mains lead.

- Procedure:

Step 1: Unscrew the fuse holder on the rear panel with a fitting screwdriver from the housing (anti-clockwise).

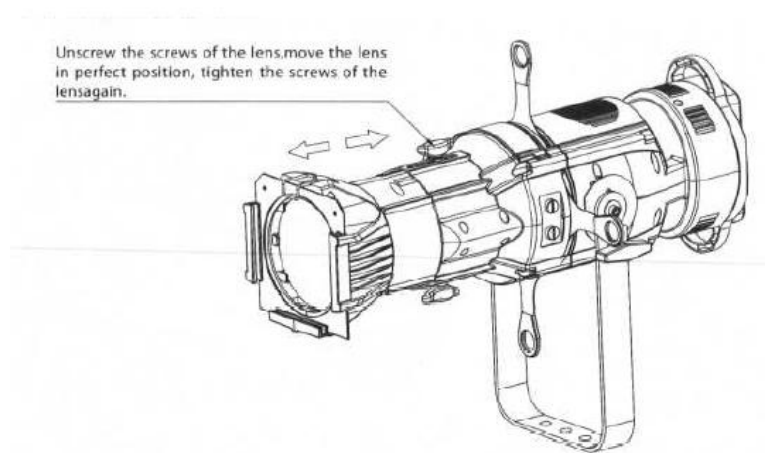
Step 2: Remove the old fuse from the fuse holder.

Step 3: Install the new fuse in the fuse holder.

Step 4: Replace the fuse holder in the housing and fix it.

8. Focus

- The objective lens cylinder is usually shrunk before leaving factory, after connect the projector to the mains, user may loosen the screws and pull out the lens cylinder, till the white light output circular is clearly presented, locking the two screws tightly.
- When the projection distance is changed, user can follow previous operating steps and focus the projector.

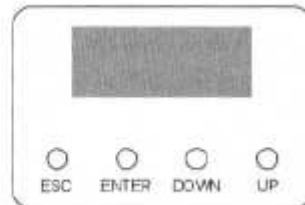


OPERATION

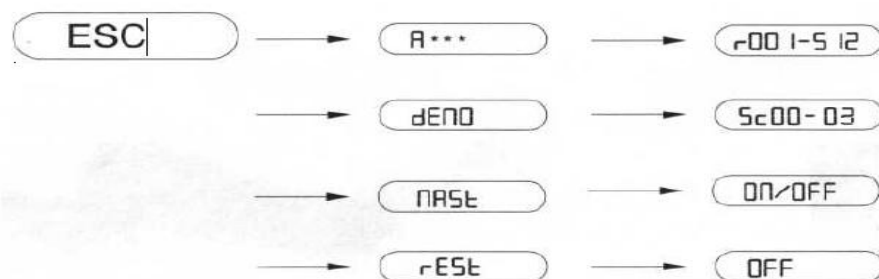
1. Description of the keys

1. Description of the keys

- ESC;
- ENTER;
- DOWN;
- UP.



2. Menu



3. Basic setting

- [Address 001] is the default setting, the device display will show the message [A 001]
- Press [ENTER] key and select [A 001]; Use the [UP] and [DOWN] keys to select required address [A001-512] and press to confirm or to cancel and return to the main menu. Press [ENTER] key to return and confirm
- Press [DOWN] key to select [dENO], press [ENTER] key into [5c00-16], Use the [UP] and [DOWN] keys to select [Sc00-16], press [ENTER] to return and confirm ;
- Press [DOWN] key to select [NASE], press [ENTER] key and use the [UP] and [DOWN] keys to select [ON/OFF], press [ENTER] to return and confirm.
- Press [DOWN] key to select [rESt], press [ENTER] key and use the [UP] key to select [OFF], press [ENTER] to return and confirm.

4. Dmx protocol

CHANNEL	NUMERIC	EFFECT
1	000–255	Dimmer intensity 0-100%
2	000–025	Open
	026–225	Strobe, the speed from slow to quick
	226–255	Open

APPENDIX

Problem and solution

Problem and solution

Problem	Reason	Resolution
Device not work	No power	AC100V-250V,50HZ/60HZ Check the power connection, and make sure device connect the mains in well condition. Check if switch is on Check if the fuse is good
Led bulb is off	led bulb damaged	Replacing led bulb
	Led driver board damaged	Replacing led driver board
	temperature swtich damaged	Replacing temperature switch
Fans not work	Fans damaged	replacing fans

Caution:

- Unqualified person involved with installation, operation and maintenance of this device is prohibited.
- If any above mentioned problem happened, or unknown problem happened, please contact manufacture or distributor for assistance.